

**SAFEMASTER
Emergency Stop Module
BG 5924, IP 5924**



**Translation
of the original instructions**



E. Dold & Söhne GmbH & Co. KG
Bregstraße 18 • 78120 Furtwangen • Germany
Phone: +49 7723 654-0 • Fax +49 7723 654356
dold-relays@dold.com • www.dold.com

Contents

Symbol and Notes Statement.....	13
General Notes	13
Designated Use	13
Safety Notes	13
Product Description	15
Function Diagram	15
Block Diagrams	15
Approvals and Markings	15
Applications	15
Indicators	15
Circuit Diagrams	16
Connection Terminals	16
Technical Data	17
Technical Data	17
UL-Data	17
CSA-Data	17
Troubleshooting	17
Maintenance and repairs.....	17
Standard Types.....	18
Variants.....	18
Characteristics.....	18
Application Examples	19
Connection Technology	41
Dimensions (dimensions in mm)	42
Mounting / disassembly of the terminal blocks	42
Safety Related Data	43
CE-Declaration of Conformity - BG 5924	44
CE-Declaration of Conformity - IP 5924	45
UK Declaration of Conformity - BG 5924.....	46
UK Declaration of Conformity - IP 5924	47



Before installing, operating or maintaining this device, these instructions must be carefully read and understood.



Keep instructions for future reference



The installation must only be done by a qualified electrician!



Do not dispose of household garbage!
The device must be disposed of in compliance with nationally applicable rules and requirements.

To help you understand and find specific text passages and notes in the operating instructions, we have important information and information marked with symbols.

Symbol and Notes Statement



DANGER:
Indicates that death or severe personal injury will result if proper precautions are not taken.



WARNING:
Indicates that death or severe personal injury can result if proper precautions are not taken.



CAUTION:
Indicates that a minor personal injury can result if proper precautions are not taken.



INFO:
Referred information to help you make best use of the product.



ATTENTION:
Warns against actions that can cause damage or malfunction of the device, the device environment or the hardware / software result.

General Notes

The product hereby described was developed to perform safety functions as a part of a whole installation or machine. A complete safety system normally includes sensors, evaluation units, signals and logical modules for safe disconnections. The manufacturer of the installation or machine is responsible for ensuring proper functioning of the whole system. DOLD cannot guarantee all the specifications of an installation or machine that was not designed by DOLD. The total concept of the control system into which the device is integrated must be validated by the user. DOLD also takes over no liability for recommendations which are given or implied in the following description. The following description implies no modification of the general DOLD terms of delivery, warranty or liability claims.

Designated Use

The BG 5924 or IP 5924 is used to interrupt a safety circuit in a safe way. It can be used to protect people and machines in applications with e-stop buttons and safety gates.

When used in accordance with its intended purpose and following these operating instructions, this device presents no known residual risks. Non-observance may lead to personal injuries and damages to property.

Safety Notes



Risk of electrocution! **Danger to life or risk of serious injuries.**

- Disconnect the system and device from the power supply and ensure they remain disconnected during electrical installation.
- The device may only be used for the applications described in the mutually applicable operating instructions / data sheet. The notes in the respective documentation must be heeded. The permissible ambient conditions must be observed.
- The contact protection of the elements connected and the insulation of the supply cables must be designed in accordance with the requirements in the operating instructions / data sheet.
- Note the VDE and local regulations, particularly those related to protective measures.



Risk of fire or other thermal hazards! **Danger to life, risk of serious injuries or property damage.**

- The device may only be used for the applications described in the mutually applicable operating instructions / data sheet. The notes in the respective documentation must be heeded. The permissible ambient conditions must be observed. In particular, the current limit curve must be heeded.
- The device may only be installed and put into operation by experts who are familiar with this technical documentation and the applicable health and safety and accident prevention regulations.



Functional error! **Danger to life, risk of serious injuries or property damage.**

- The device may only be used for the applications described in the mutually applicable operating instructions / data sheet. The notes in the respective documentation must be heeded. The permissible ambient conditions must be observed.
- The device may only be installed and put into operation by experts who are familiar with this technical documentation and the applicable health and safety and accident prevention regulations.
- The unit should be panel mounted in an enclosure rated at IP 54 or superior. Dust and dampness may lead to malfunction.



Installation fault! **Danger to life, risk of serious injuries or property damage.**

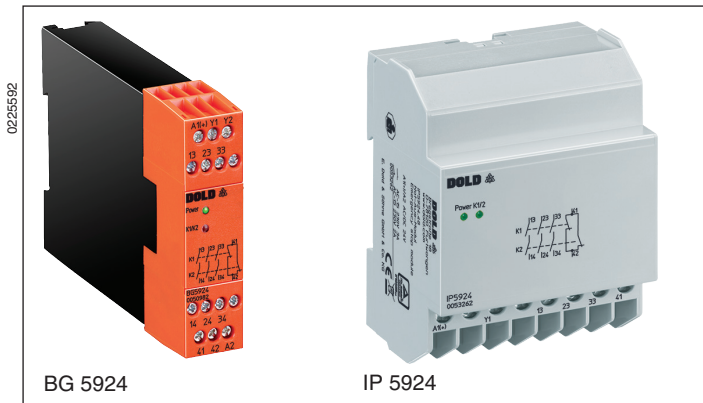
- Make sure of sufficient protection circuitry at all output contacts for capacitive and inductive loads.



Attention!

- The safety function must be triggered during commissioning.
- **AUTOMATIC START !**
According to IEC/EN 60 204-1 part 9.2.5.4.2 and 10.8.3 it is not allowed to restart automatically after emergency stop. Therefore the machine control has to disable the automatic start after emergency stop.
- Opening the device or implementing unauthorized changes voids any warranty

SAFEMASTER Emergency Stop Module BG 5924, IP 5924



Your Advantages

- For safety application up to PL e / Cat. 4 e.g. SIL 3
- Manual or automatic start

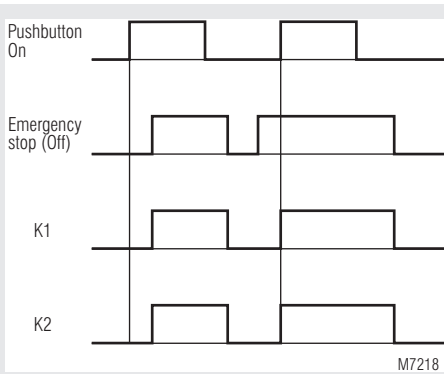
Features

- **According to**
 - Performance Level (PL) e and category 4 to EN ISO 13849-1
 - SIL Claimed Level (SIL CL) 3 to IEC/EN 62061
 - Safety Integrity Level (SIL) 3 to IEC/EN 61508
- According to EN 50156-1 for furnaces
- Single channel or two-channel operation
- Output: max. 4 NO contacts
- AC 230 V model with galvanic separation
- LED indicator for channel 1 / 2 and state of operation
- Short circuit detection between terminal Y1 and common
- BG 5924 with:
 - Removable terminal strips
 - Wire connection: also 2 x 1.5 mm² stranded ferruled (isolated), DIN 46 228-1/-2/-3/-4 or 2 x 2.5 mm² stranded ferruled DIN 46 228-1/-2/-3
- BG 5924: width 22.5 mm
- IP 5924: width 70 mm

Product Description

The emergency stop modules BG 5924 and IP 5924 can be used to protect people and machines by interrupting a safety circuit in a safe way.

Function Diagram



Approvals and Markings



* See variants ¹⁾ For BG 5924 only

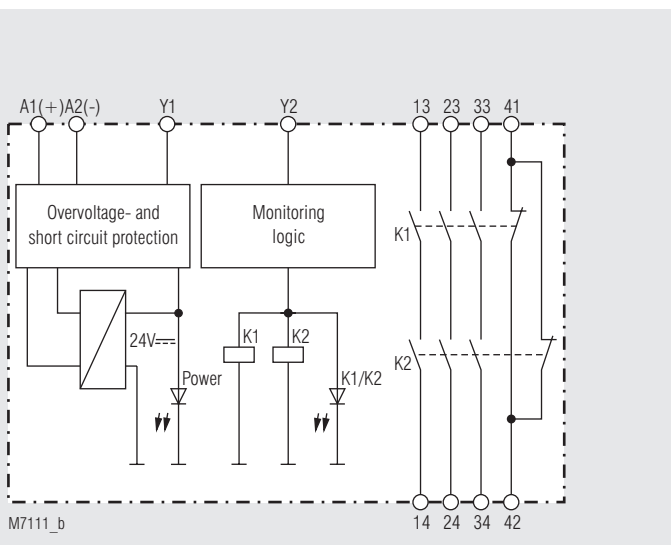
Applications

- Protection of people and machines
- Emergency stop circuits on machines

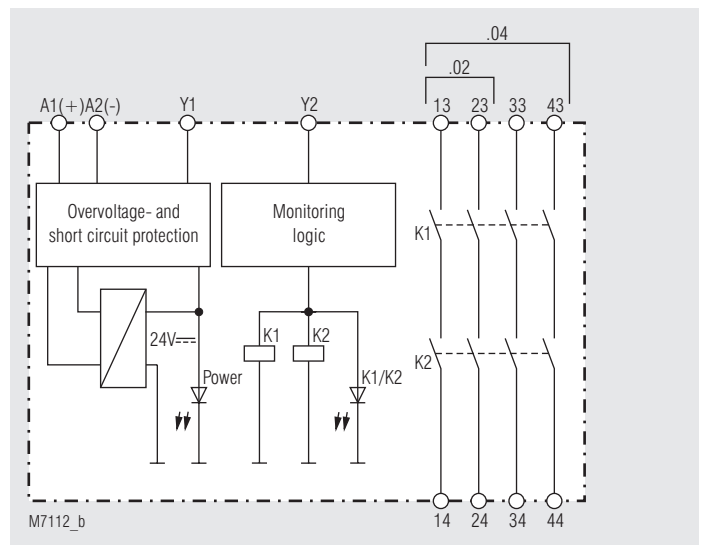
Indicators

LED Power: On, when supply connected
LED K1/K2: On, when relay K1 and K2 energized

Block Diagrams

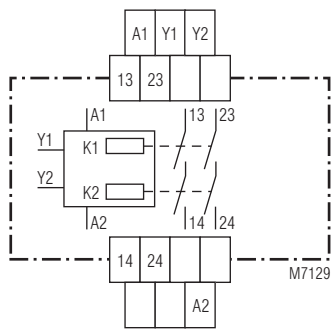


BG 5924.48, IP 5924.48

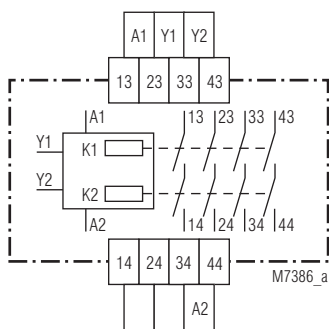


BG 5924.02, BG 5924.02/110,
BG 5924.04, BG 5924.04/100,
IP 5924.02, IP 5924.04

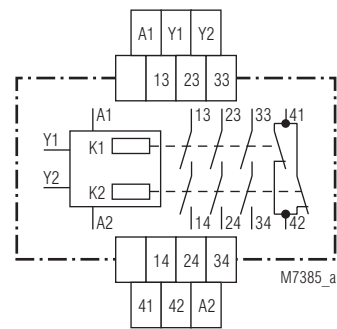
Circuit Diagrams



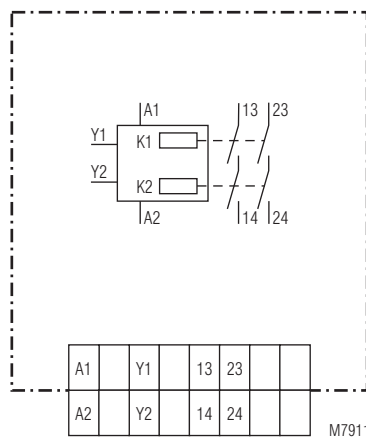
BG 5924.02, BG 5924.02/110



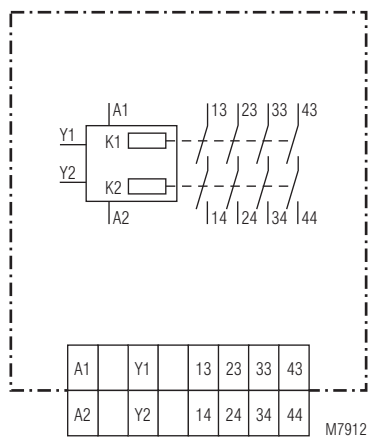
BG 5924.04, BG 5924.04/100



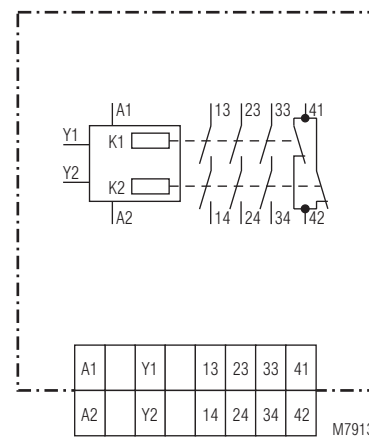
BG 5924.48



IP 5924.02



IP 5924.04



IP 5924.48

Connection Terminals

Terminal designation	Signal description
A1(+)	+ / L
A2 (-)	- / N
Y1, Y2	Inputs
13, 14, 23, 24, 33, 34, 43, 44	Forcibly guided NO contacts for release circuit
41, 42	Forcibly guided indicator output

Technical Data

Input

Nominal voltage U_N: BG 5924:	DC 24 V (only for variant /110) AC/DC 24, 48 V AC 110, 115, 230 V
IP 5924:	AC/DC 24, 48 V AC 110, 230 V
Nominal frequency:	50 / 60 Hz
Voltage range: at 10 % residual ripple: at 48 % residual ripple:	AC 0.8 ... 1.1 U_N DC 0.9 ... 1.1 U_N DC 0.8 ... 1.1 U_N
Nominal consumption AC/DC 24 V: AC 230 V:	DC 1.4 W AC 3 VA 4.0 VA
Control voltage on Y1 AC/DC 24 V: AC 230 V:	Typ. DC 23 V Max. 45 V short pulse
Control current:	typ. DC 45 mA
Recovery time:	0.5 s

Output

Contacts BG 5924.02, IP 5924.02:	2 NO contacts
BG 5924.04, IP 5924.04:	4 NO contacts
BG 5924.48, IP 5924.48:	3 NO, 1 NC contacts

The NO contacts are safety contacts.

The NC contacts 41-42 can only be used for monitoring.

Operate delay:	Max. 100 ms
Release delay:	Max. 35 ms
Contact type:	Forcibly guided
Thermal current I_{th}:	Max. 5 A (see limit curve)
Nominal output voltage:	AC 250 V
Switching capacity to AC 15	
NO contact:	3 A / AC 230 V IEC/EN 60947-5-1
NC contact: to DC 13	1 A / AC 230 V IEC/EN 60947-5-1
NO contact:	1 A / DC 24 V IEC/EN 60947-5-1
NC contact: to DC 13	1 A / DC 24 V IEC/EN 60947-5-1
NO contact:	4 A / 24 V at 0.1 Hz
NC contact:	4 A / 24 V at 0.1 Hz
Electrical life to AC 15 at 2 A, AC 230 V:	10 ⁵ switching cycles IEC/EN 60947-5-1
Permissible operating frequency:	600 switching cycles / h
Short circuit strength max. fuse rating:	6 A gG / gL IEC/EN 60947-5-1
Line circuit breaker:	B 6 A
Mechanical life:	10 x 10 ⁶ switching cycles

General Data

Operating mode:	Continuous operation
Temperature range Operation:	- 25 ... + 55 °C (see quadratic total current limit curve) At an altitude of > 2000 m the maximum permissible temperature reduces by 0.5°C / 100 m
Storage:	- 25 ... + 85 °C
Altitude, Clearance and creepage distance Rated impulse voltage / pollution degree:	IEC 60664-1 ≤ 2000 m > 2000 m to ≤ 4000 m
Contacts against all others:	4 kV / 2 2.5 kV / 2
Contacts to each other:	6 kV / 2 2.5 kV / 2
EMC Interference suppression	IEC/EN 62 061 Limit value class B EN 55011
Degree of protection Housing:	IP 40 IEC/EN 60529
Terminals:	IP 20 IEC/EN 60529
Housing:	Thermoplastic with V0 behaviour according to UL subject 94
Vibration resistance:	Amplitude 0.35 mm frequency 10 ... 55 Hz, IEC/EN 60068-2-6
Climate resistance:	25 / 055 / 04 IEC/EN 60068-1
Terminal designation:	EN 50005

Technical Data

Wire connection:	Box terminal with wire protection, removable terminal strips DIN rail IEC/EN 60715
Mounting:	
Weight: BG 5924:	210 g
IP 5924:	206 g

Dimensions

Width x height x depth:	
BG 5924:	22.5 x 84 x 121 mm
IP 5924:	70 x 90 x 59 mm

UL-Data

The safety functions were not evaluated by UL. Listing is accomplished according to requirements of Standard UL 508, "general use applications"

Nominal voltage U_N:	AC/DC 24 V
Ambient temperature:	-15 ... +55°C
Altitude:	≤ 2000 m
Switching capacity: NO contact:	Pilot duty B300 5A 250Vac G.P. 5A 24Vdc
NC contact::	5A 250Vac G.P. 5A 24Vdc
Wire connection:	60°C / 75°C copper conductors only AWG 20 - 12 Sol Torque 0.8 Nm AWG 20 - 14 Str Torque 0.8 Nm



Technical data that is not stated in the UL-Data, can be found in the technical data section.

CSA-Data

Nominal voltage U_N:	AC/DC 24, AC/DC48V, AC110V, AC230V
Ambient temperature:	- 15 ... + 55 °C
Altitude:	≤ 2000 m
Switching capacity:	3A 230Vac
Wire connection:	60°C / 75°C copper conductors only AWG 20 - 12 Sol Torque 0.8 Nm AWG 20 - 14 Str Torque 0.8 Nm



Technical data that is not stated in the CSA-Data, can be found in the technical data section.

Troubleshooting

Failure	Potential cause
LED "Power" does not light up	Power supply not connected
Device cannot be activated	- Safety relay is welded (replace device) - Start circuit Y1-Y2 not connected

Maintenance and repairs

- The device contains no parts that require maintenance.
- In case of failure, do not open the device but send it to manufacturer for repair.

Standard Types

BG 5924.48 AC/DC 24 V

- Article number: 0050982
 • Output: 3 NO, 1 NC contacts
 • Nominal voltage U_N : AC/DC 24 V
 • Width: 22.5 mm

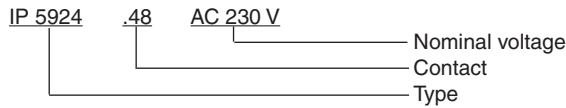
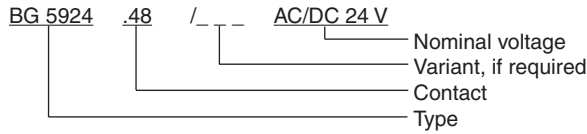
IP 5924.48 AC/DC 24 V 50/60 Hz

- Article number: 0053262
 • Output: 3 NO, 1 NC contacts
 • Nominal voltage U_N : AC/DC 24 V
 • Width: 70 mm

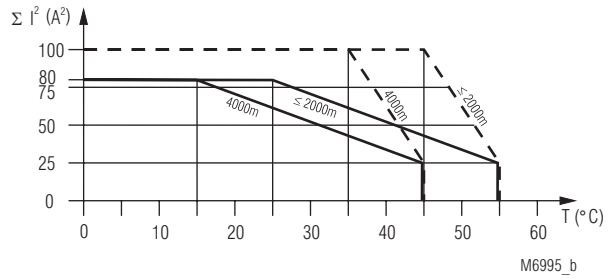
Variants

- BG 5924._./60: With CSA approval
 BG 5924._./61: With UL approval
 BG 5924._./100: With fast auto-start
 BG 5924._./110: Voltage range with expandable tolerance
 0.85 ... 1.15 U_N

Ordering example for Variant



Characteristics

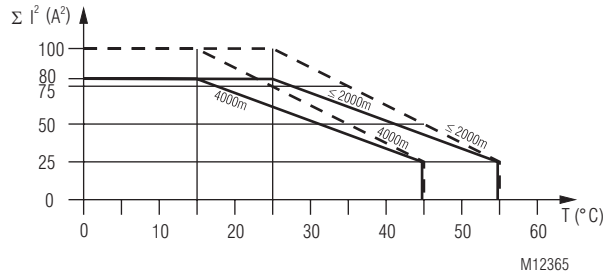


- Device mounted on distance with aircondition.
 Max. current at 55°C (≤ 2000m) or 45°C (4000m) over 4 contact paths = 2,5A $\hat{=}$ 4x2,5²A² = 25A²
- Device mounted without distances heated by devices with same load.
 Max. current at 55°C (≤ 2000m) or 45°C (4000m) over 4 contact paths = 2,5A $\hat{=}$ 4x2,5²A² = 25A²

$$\Sigma I^2 = I_1^2 + I_2^2 + I_3^2 + I_4^2$$

I_1, I_2, I_3, I_4 - Current in contact paths

Quadratic total current limit curve DC 24 V, AC/DC 24, 48 V
 At an altitude > 2000 m adjustment of the curve by -0.5° C / 100 m
 (see example 4000 m)



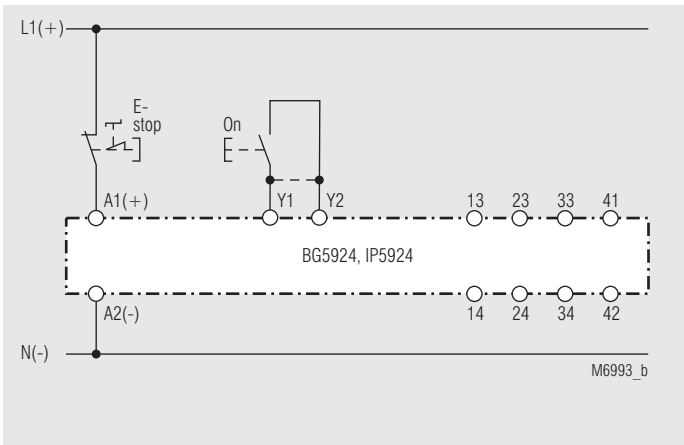
- Device mounted on distance with aircondition.
 Max. current at 55°C (≤ 2000m) or 45°C (4000m) over 4 contact paths = 2,5A $\hat{=}$ 4x2,5²A² = 25A²
- Device mounted without distances heated by devices with same load.
 Max. current at 55°C (≤ 2000m) or 45°C (4000m) over 4 contact paths = 2,5A $\hat{=}$ 4x2,5²A² = 25A²

$$\Sigma I^2 = I_1^2 + I_2^2 + I_3^2 + I_4^2$$

I_1, I_2, I_3, I_4 - Current in contact paths

Quadratic total current limit curve AC 110 V, AC 115 V, AC 230 V
 At an altitude > 2000 m adjustment of the curve by -0.5° C / 100 m
 (see example 4000 m)

Application Examples

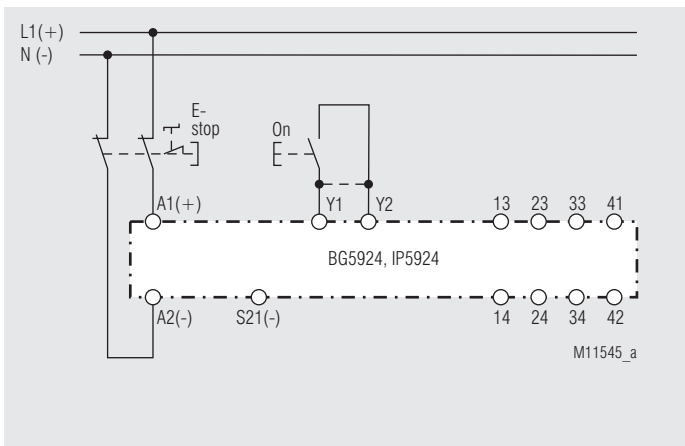


Single channel emergency-stop circuit without feed back loop, with or without automatic restart.

For automatic restart terminals Y1-Y2 must be linked.

No ON-push button necessary.

Suited up to SIL2, Performance Level d, Cat. 3*

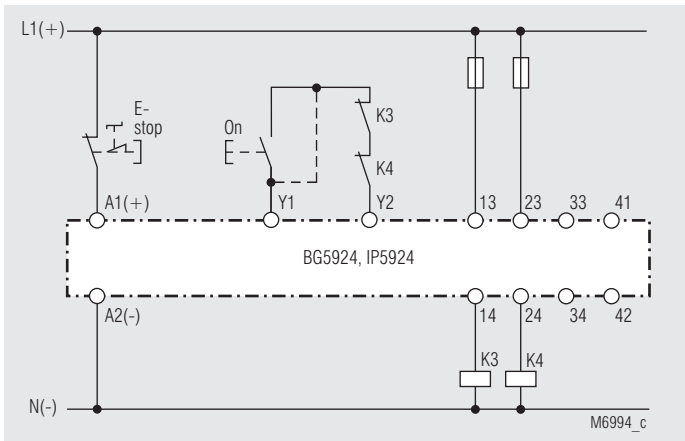


Two-channel emergency-stop circuit without feed back loop, with or without automatic restart.

For automatic restart terminals Y1-Y2 must be linked.

No ON-push button necessary.

Suited up to SIL3, Performance Level e, Cat. 4



Contact reinforcement by external contactors, 2-channel controlled. For currents > 5 A the output contacts can be reinforced by external contactors. Functioning of the external contactors is monitored by looping the NC contacts into the start circuit (Y1-Y2).

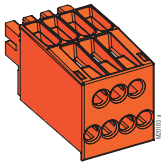
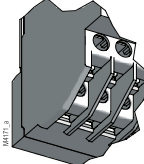
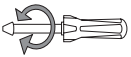
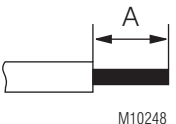
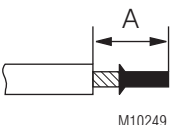
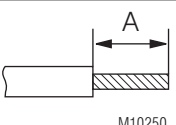
Suited up to SIL2, Performance Level d, Cat. 3*

* Suited up to SIL3, Performance Level e, Cat. 4 for E-stop systems

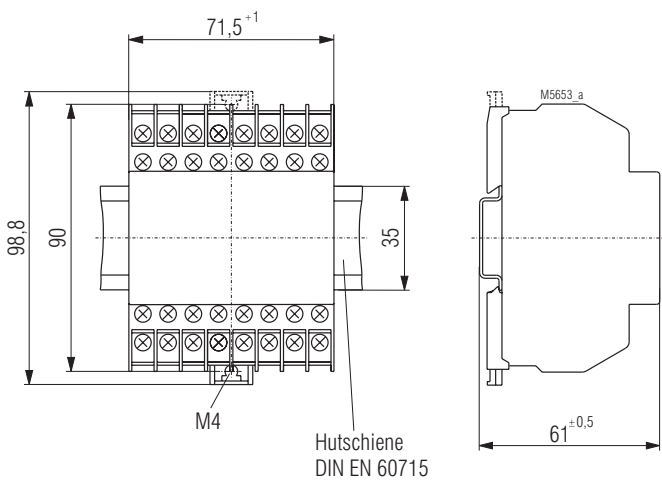
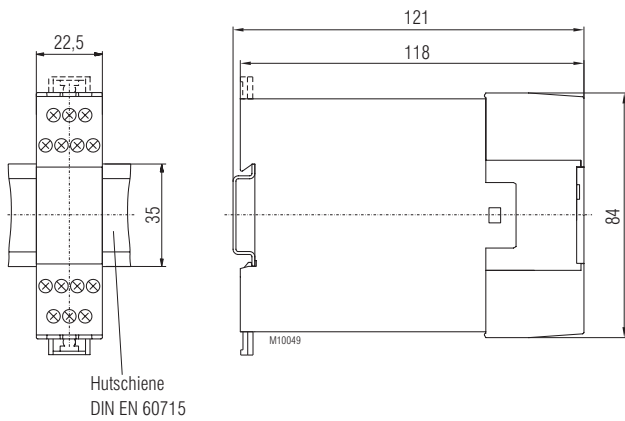
according to IEC 60947-5-5, under the following conditions:

- A maximum number of operations for the E-stop button is observed
- The E-stop button and the E-stop module are installed in the same cabinet

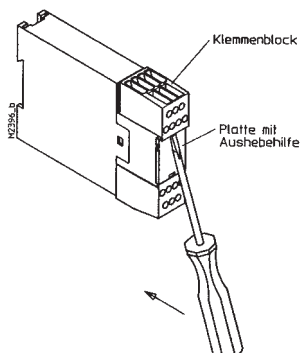
DE	Anschlussstechnik
EN	Connection Technology
FR	Technologie de connexion
IT	Tecnologia di connessione

	BG 5924	IP 5924
		
	<p>ø 4 mm / PZ 1 0,8 Nm 7 LB. IN</p>	<p>ø 6 mm / PZ 2 0,8 Nm 7 LB. IN</p>
	<p>A = 10 mm 1 x 0,5 ... 4 mm² 1 x AWG 20 to 12 2 x 0,5 ... 1,5 mm² 2 x AWG 20 to 16</p>	<p>A = 10 mm 2 x 0,5 ... 2,5 mm² 2 x AWG 20 to 14 min. ø 0,1 mm = AWG 26</p>
	<p>A = 10 mm 1 x 0,5 ... 2,5 mm² 1 x AWG 20 to 14 2 x 0,5 ... 1,5 mm² 2 x AWG 20 to 16</p>	<p>A = 10 mm 2 x 0,5 ... 1,5 mm² 2 x AWG 20 to 16</p>
	<p>A = 10 mm 1 x 0,5 ... 4 mm² 1 x AWG 20 to 12 2 x 0,5 ... 1,5 mm² 2 x AWG 20 to 16</p>	

DE	Maßbild (Maße in mm)
EN	Dimensions (dimensions in mm)
FR	Dimensions (dimensions en mm)
IT	Dimensioni (dimensione in mm)



DE	Montage / Demontage der Klemmenblöcke
EN	Mounting / disassembly of the terminal blocks
FR	Montage / Démontage des borniers
IT	Montaggio / Smontaggio di morsetti estraibili



DE	Sicherheitstechnische Kenndaten
EN	Safety Related Data
FR	Données techniques sécuritaires
IT	I dati di sicurezza

EN ISO 13849-1:		
Kategorie / Category:	4	
PL:	e	
MTTF _d :	220,9	a (year)
DC _{avg} :	99,0	%
d _{op} :	365	d/a (days/year)
h _{op} :	24	h/d (hours/day)
t _{cycle} :	3600	s/cycle
	≥ 1	/h (hour)

IEC EN 62061 IEC EN 61508:		
SIL CL:	3	IEC EN 62061
SIL	3	IEC EN 61508
HFT ¹⁾ :	1	
DC:	99,0	%
PFH _D :	1,08E-10	h ⁻¹
PFH _{AVG} :	5,81E-05	(Low Demand Mode)
T _i :	20	a (year)
¹⁾ HFT = Hardware-Fehlertoleranz Hardware failure tolerance Tolérance défauts Hardware Tolleranza ai guasti hardware		



DE	Die angeführten Kenndaten gelten für die Standardtype. Sicherheitstechnische Kenndaten für andere Geräteausführungen erhalten Sie auf Anfrage. Die sicherheitstechnischen Kenndaten der kompletten Anlage müssen vom Anwender bestimmt werden.
EN	The values stated above are valid for the standard type. Safety data for other variants are available on request. The safety relevant data of the complete system has to be determined by the manufacturer of the system.
FR	Les valeurs données sont valables pour les produits standards. Les valeurs techniques sécuritaires pour d'autres produits spéciaux sont disponibles sur simple demande. Les données techniques sécuritaires de l'installation complète doivent être définies par l'utilisateur.
IT	I rating sopra si applicano al tipo standard. Dati di sicurezza per gli altri modelli sono disponibili su richiesta. I dati caratteristici relativi alla sicurezza per l'intero sistema deve essere determinato dall'utente.

Anforderung seitens der Sicherheitsfunktion an das Gerät im High Demand Mode		Intervall für zyklische Überprüfung der Sicherheitsfunktion
Demand to our device based on the evaluated necessary safety level of the application at High Demand Mode		Intervall for cyclic test of the safety function
Consigne résultant de la fonction sécuritaire de l'appareil au High Demande Mode		Interval du contrôle cyclique de la fonction sécuritaire
Richiesta al nostro dispositivo basato sul livello di sicurezza necessary valutata dell'applicazione a High Demande Mode		Intervall per test ciclico della funzione di sicurezza
nach; acc. to; selon; conformi a EN ISO 13849-1	PL e with Cat. 3 or Cat. 4	einmal pro Monat once per month mensuel una volta al mese
	PL d with Cat. 3	einmal pro Jahr once per year annual una volta al mese
nach; acc. to; selon; conformi a IEC/EN 62061, IEC/EN 61508	SIL CL 3, SIL 3 with HFT = 1	einmal pro Monat once per month mensuel una volta al mese
	SIL CL 2, SIL 2 with HFT = 1	einmal pro Jahr once per year annual una volta al mese

DE	EG-Konformitätserklärung - BG 5924
EN	CE-Declaration of Conformity - BG 5924
FR	Déclaration de conformité européenne - BG 5924
IT	Dichiarazione di conformità CE - BG 5924

EG - Konformitätserklärung
Declaration of Conformity
Déclaration de conformité européenne



Hersteller: E. Dold & Söhne GmbH & Co. KG
Manufacturer: / Fabricant:
Anschrift: Bregstraße 18
Address: / Adresse: 78120 Furtwangen
Germany

Produktbezeichnung: Not-Aus-Modul **BG5924.kkccc** mit: kk = 02, 04, 48
Product description: Emergency Stop Module **BG5924.kk/vvvccc** with: vvv = 100, 110, 204
optional ccc = /60 .. /69
Désignation du produit: Module d'arrêt d'urgence avec:

Das bezeichnete Produkt stimmt mit den Vorschriften folgender europäischer Richtlinien überein:
The indicated product is in conformance with the regulations of the following european directives:
Le produit désigné est conforme aux instructions des directives européennes:

Maschinenrichtlinie: 2006/42/EG EU-Abl. L157/24, 09.06.2006
Machinery directive: / Directives Machines:
EMV - Richtlinie: 2014/30/EU EU-Abl. L96/79, 29.03.2014
EMC - Directive: / Directives- CEM.:
RoHS - Richtlinie 2011/65/EU EU-Abl. L174/88, 01.07.2011
RoHS -Directive: / Directives - RoHS:

Prüfgrundsätze: EN ISO 13849-1:2015 EN IEC 62061:2021
Basis of Testing: EN 62061:2005 + AC:2010 + A1:2013 + A2:2015 EN 61508 Parts 1-7:2010
Lignes de contrôle: EN IEC 60664-1:2020 + AC:2020 EN 60664-1:2007
EN 61326-1:2013 EN 61326-3-1:2017
EN 61000-6-1:2007 EN 61000-6-2:2005
EN 61000-6-3:2007 + A1:2011 EN 61000-6-4:2007 + A1:2011
EN 61000-6-7:2015

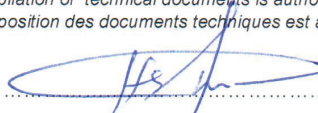
Die Übereinstimmung eines Baumusters des bezeichneten Produktes mit der oben genannten Maschinenrichtlinie wurde bescheinigt durch:

Consistency of a production sample with the marked product in accordance to the above machiney directive has been certified by:
La conformité d'un échantillon du produit désigné aux directives machines susmentionnées a été certifiée par:

Benannte Stelle: TÜV Rheinland Industrie Service GmbH,
Certification office: / l'organisme notifié: Am Grauen Stein, 51105 Köln
Nummer der benannten Stelle: NB0035
Number of certification office: / Numéro de l'organisme notifié:
Nummer der Bescheinigung: 01/205/5025.02/22
Certification number: / Numéro de certificat:
Ausstellungsdatum : 12.01.2022
Date of issue: / Date de délivrance:

Für die Zusammenstellung der technischen Unterlagen ist bevollmächtigt:

*For the compilation of technical documents is authorized:
Pour la composition des documents techniques est autorisé:*


.....
Gamal Hagar – Entwicklungsleiter / R&D Manager

Rechtsverbindliche Unterschrift:

*Signature of authorized person:
Signature autorisée :*


.....
Christian Dold – Produktmanagement / Productmanagement

Ort, Datum : Furtwangen, 18.01.2022
Place, Date: / Lieu, date:

Diese Original - Erklärung bescheinigt die Übereinstimmung mit den genannten Richtlinien, beinhaltet jedoch keine Zusicherung von Eigenschaften. Die Sicherheitshinweise der Produktdokumentation sind zu beachten.

This original declaration confirms the conformity of the mentioned directives but does not comprise any guarantee of the product characteristics. The safety directives of the product documentation are to be considered.

Cette déclaration originale certifie la conformité des directives nommées mais ne comprend aucune garantie des caractéristiques du produit. Les directives de sécurité de la documentation du produit sont à considérer.

DE	EG-Konformitätserklärung - IP 5924
EN	CE-Declaration of Conformity - IP 5924
FR	Déclaration de conformité européenne - IP 5924
IT	Dichiarazione di conformità CE - IP 5924

EG - Konformitätserklärung
Declaration of Conformity
Déclaration de conformité européenne



Hersteller: E. Dold & Söhne GmbH & Co. KG
Manufacturer: / Fabricant:
Anschrift: Bregstraße 18
Address: / Adresse: 78120 Furtwangen
Germany

Produktbezeichnung: Not-Aus-Modul **IP5924.kk** mit: kk = 02, 04, 48
Product description: Emergency Stop Module *with:*
Désignation du produit: Module d'arrêt d'urgence *avec:*

Das bezeichnete Produkt stimmt mit den Vorschriften folgender europäischer Richtlinien überein:
The indicated product is in conformance with the regulations of the following european directives:
Le produit désigné est conforme aux instructions des directives européennes:

Maschinenrichtlinie: 2006/42/EG EU-Abl. L157/24, 09.06.2006
Machinery directive: / Directives Machines:
EMV - Richtlinie: 2014/30/EU EU-Abl. L96/79, 29.03.2014
EMC - Directive: / Directives- CEM.:
RoHS - Richtlinie 2011/65/EU EU-Abl. L174/88, 01.07.2011
RoHS -Directive: / Directives - RoHS:

Prüfgrundsätze: EN ISO 13849-1:2015 EN IEC 62061:2021
Basis of Testing: EN 62061:2005 + AC:2010 + A1:2013 + A2:2015 EN 61508 Parts 1-7:2010
Lignes de contrôle: EN IEC 60664-1:2020 + AC:2020 EN 60664-1:2007
EN 61326-1:2013 EN 61326-3-1:2017
EN 61000-6-1:2007 EN 61000-6-2:2005
EN 61000-6-3:2007 + A1:2011 EN 61000-6-4:2007 + A1:2011
EN 61000-6-7:2015

Die Übereinstimmung eines Baumusters des bezeichneten Produktes mit der oben genannten Maschinenrichtlinie wurde bescheinigt durch:
Consistency of a production sample with the marked product in accordance to the above machiney directive has been certified by:
La conformité d'un échantillon du produit désigné aux directives machines susmentionnées a été certifiée par:

Benannte Stelle: TÜV Rheinland Industrie Service GmbH,
Certification office: / l'organisme notifié: Am Grauen Stein, 51105 Köln
Nummer der benannten Stelle: NB0035
Number of certification office:/ Numéro de l'organisme notifié:
Nummer der Bescheinigung: 01/205/5025.02/22
Certification number: / Numéro de certificat:
Ausstelldatum : 12.01.2022
Date of issue: / Date de délivrance:

Für die Zusammenstellung der technischen Unterlagen ist bevollmächtigt:
For the compilation of technical documents is authorized:
Pour la composition des documents techniques est autorisé:

Gamal Hagar – Entwicklungsleiter / R&D Manager

Rechtsverbindliche Unterschrift:
Signature of authorized person:
Signature autorisée :

Christian Dold – Produktmanagement / Productmanagement

Ort, Datum : Furtwangen, 18.01.2022
Place, Date: / Lieu, date:

Diese Original - Erklärung bescheinigt die Übereinstimmung mit den genannten Richtlinien, beinhaltet jedoch keine Zusicherung von Eigenschaften. Die Sicherheitshinweise der Produktdokumentation sind zu beachten.
This original declaration confirms the conformity of the mentioned directives but does not comprise any guarantee of the product characteristics. The safety directives of the product documentation are to be considered.
Cette déclaration originale certifie la conformité des directives nommées mais ne comprend aucune garantie des caractéristiques du produit. Les directives de sécurité de la documentation du produit sont à considérer.

DE	UK-Konformitätserklärung - BG 5924
EN	UK Declaration of Conformity - BG 5924
FR	Déclaration de conformité UK - BG 5924
IT	Dichiarazione di conformità UK - BG 5924

UK Declaration of Conformity



Manufacturer: E. Dold & Söhne GmbH & Co. KG

Address: Bregstraße 18
78120 Furtwangen
Germany

Product description: Emergency Stop Module
BG5924.kkccc mit: kk = 02, 04, 48
BG5924.kk/vvvccc vvv = 100, 110, 204
optional ccc = /60 .. /69

The indicated product is in conformance with the regulations of the following British regulations:

Supply of Machinery (Safety) Regulations: S.I. 2008 No. 1597

Electromagnetic Compatibility Regulations: S.I. 2016 No. 1091

RoHS Regulations: S.I. 2012 No. 3032

Designated standards:

EN ISO 13849-1:2015	EN IEC 62061:2021
EN 62061:2005 + AC:2010 + A1:2013 + A2:2015	EN 61508 Parts 1-7:2010
EN IEC 60664-1:2020 + AC:2020	EN 60664-1:2007
EN 61326-1:2013	EN 61326-3-1:2017
EN 61000-6-1:2007	EN 61000-6-2:2005
EN 61000-6-3:2007 + A1:2011	EN 61000-6-4:2007 + A1:2011
EN 61000-6-7:2015	

Consistency of a production sample with the marked product in accordance to the above machinery directive has been certified by:

Certification office: TÜV Rheinland UK Ltd., Friars Gate(Third Floor),
1011 Stratford Road, Shirley, Solihull B90 4BN, United Kingdom
2571

Number of certification office:

Certification number: 01/205U/5025.00/22

Date of issue: 2022-05-06

For the compilation of technical documents is authorized: **Signature of authorized person:**

Dold Industries Ltd
11 Hamberts Rd. Blackall Ind. Estate
South Woodham Ferrers
GB - Essex, CM3 5UW

ppa. Ch. Dold
.....
Christian Dold - Productmanagement

Place, Date : Furtwangen, 2022-05-12

This original declaration confirms the conformity of the mentioned directives but does not comprise any guarantee of the product characteristics. The safety directives of the product documentation are to be considered.

DE	UK-Konformitätserklärung - IP 5924
EN	UK Declaration of Conformity - IP 5924
FR	Déclaration de conformité UK - IP 5924
IT	Dichiarazione di conformità UK - IP 5924

UK Declaration of Conformity



Manufacturer: E. Dold & Söhne GmbH & Co. KG

Address: Bregstraße 18
78120 Furtwangen
Germany

Product description: Emergency Stop Module **IP5924.kk** mit: kk = 02, 04, 48

The indicated product is in conformance with the regulations of the following British regulations:

Supply of Machinery (Safety) Regulations: S.I. 2008 No. 1597

Electromagnetic Compatibility Regulations: S.I. 2016 No. 1091

RoHS Regulations: S.I. 2012 No. 3032

Designated standards:

EN ISO 13849-1:2015	EN IEC 62061:2021
EN 62061:2005 + AC:2010 + A1:2013 + A2:2015	EN 61508 Parts 1-7:2010
EN IEC 60664-1:2020 + AC:2020	EN 60664-1:2007
EN 61326-1:2013	EN 61326-3-1:2017
EN 61000-6-1:2007	EN 61000-6-2:2005
EN 61000-6-3:2007 + A1:2011	EN 61000-6-4:2007 + A1:2011
EN 61000-6-7:2015	

Consistency of a production sample with the marked product in accordance to the above machinery directive has been certified by:

Certification office: TÜV Rheinland UK Ltd., Friars Gate(Third Floor),
1011 Stratford Road, Shirley, Solihull B90 4BN, United Kingdom
2571

Number of certification office:

Certification number: 01/205U/5025.00/22

Date of issue: 2022-05-06

For the compilation of technical documents is authorized: Signature of authorized person:

Dold Industries Ltd

11 Hamberts Rd. Blackall Ind. Estate
South Woodham Ferrers
GB - Essex, CM3 5UW

Christian Dold - Productmanagement

Place, Date : Furtwangen, 2022-05-12

This original declaration confirms the conformity of the mentioned directives but does not comprise any guarantee of the product characteristics. The safety directives of the product documentation are to be considered.

